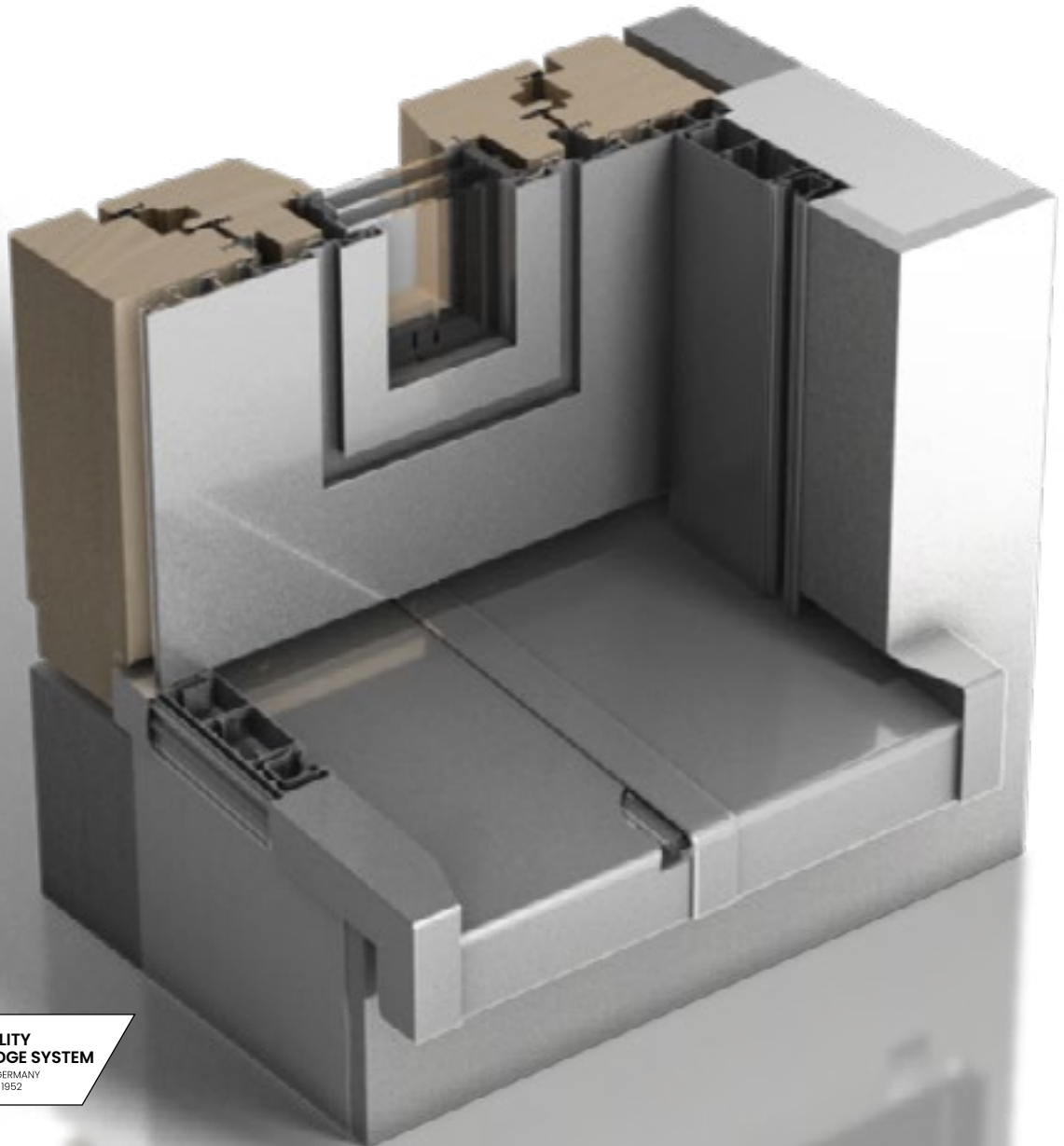


WINDOW LEDGE SYSTEMS

SOFTLINE PLUS



[Window ledges](#) / [Window ledge accessories](#) / [Special accessories](#) / [Installation instructions](#)

STEP/G

Extruded aluminium profiles

System profiles for construction

Billets

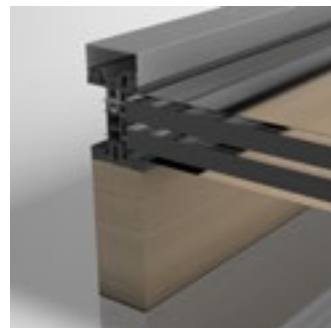


Window ledge systems

Wood-aluminium systems

Façade systems

Flat roof systems



BUG Aluminium-Systeme is a quality manufacturer of window ledge, flat roof and façade systems as well as aluminium systems for wood-aluminium windows and weather protection systems for wood windows. Since 1952 the BUG name has been a hallmark for high-quality system solutions Made in Germany. The extensive product portfolio covers innovative, simple and practical aluminium system solutions for the construction industry.

BUG also supplies flexible, customised product and service solutions. The brand delivers customer-centred components for windows, façades and roofs for easy, fast installation. For our solutions we use local, value-generating supply chains and conserve resources.

Top manufacturing quality and comprehensive expertise have been the standard at all our BUG locations for decades. Two German production locations in Vogt and Bitterfeld, one finishing centre in Traun, Austria, and our newly built finishing and logistics centre in Hettstedt, Germany offer BUG customers the optimal combination of production, finishing and direct delivery.

BUG is a trademark of ST Extruded Products Germany GmbH. Since 2015 it has been part of the Japanese group Sankyo Tateyama Inc. Through the STEP-G corporate group, the entire production chain is anchored in a holistic added value supply chain based in Germany. The process stages cover casting the billets to extruding and finishing the profiles, right up to delivery.

BUG locations

BITTERFELD

BUG production location: production of solutions for flat roof systems, wood-aluminium window and window ledge systems.

HETTSTEDT

BUG finishing & logistics distribution centre for our solutions for window ledge and flat roof systems.

TRAUN

BUG sales office & finishing of all system profiles including custom window ledge cutting and processing.

GERMANY

AUSTRIA

VOGT

BUG headquarters with sales, development & engineering as well as production of all solutions for window ledge and flat roof systems, wood-aluminium window and façade systems as well as weather protection systems for wood windows.

BUG contact

Do you have any questions about our aluminium systems? Or any other subject you want to talk to us about? Simply contact us! Our experts will be happy to help you.



BUG window ledge expert, South Germany
Peter Traubeck
T +49 160 883 52 08
M bug.service@step-g.com



BUG window ledge expert, Austria
Gerald Ploier
T +43 664 531 95 60
M bug.service@step-g.com



BUG window ledge expert, North Germany
Thomas Schölzchen
T +49 170 930 25 24
M bug.service@step-g.com



BUG development & technology expert
Günter Haseitl
M bug.service@step-g.com

About BUG

For over sixty years, BUG Aluminium-Systeme has consistently embraced change and continuous transformation. What has remained the same is the human element: our trust-based relationships with staff and customers. BUG Aluminium-Systeme offers more than just products. We supply holistic system solutions. Our portfolio includes solutions for high-quality residential and other property construction – always tailored to the individual customer's needs and wishes.

The Made in Germany quality mark confirms that our system solutions conform with top quality standards and significantly boost the value of your property. What's more, our well-designed aluminium systems also meet top requirements in terms of style, functionality, safety and durability. Our customers benefit from perfectly coordinated systems for sustainable and cost-efficient construction.

From a traditional brand to a brand leader

The BUG brand has been a respected name on the market for over 70 years. While we are defined by our tradition and values, we also embrace new developments and maintain a strong focus in changing times. This is how BUG Aluminium-Systeme combines proven and future-oriented strategies. Our daily actions are driven by experience, cooperation and passion – for our work and for our customers. Together with you, we want to continue the success story of the BUG brand and jointly achieve even better development. Our values: simplicity, speed, focus.

Based on these principles, BUG Aluminium-Systeme offers an extensive programme of aluminium system solutions. We find the right solution for every door and window. Window ledge and roof systems, wood-aluminium systems, renovation and façade systems as well as weather protection systems for wood windows provide great scope for combining creativity and technical

functionality. Right from the start, BUG has always stood for innovation and quality. This approach is part of our DNA. Just like our commitment to production in Germany. BUG Aluminium-Systeme stands for premium quality and expertise.

Sustainability with BUG

There's long tradition of sustainability at BUG Aluminium-Systeme. Right from its foundation, our company was defined by the sustainability and durability of profile systems made from aluminium. For us, sustainability and resource conservation starts even before production. We meticulously check the material cycle and technologies we use to develop and produce our sophisticated aluminium systems. That's because we are acutely aware of their impact on the entire ecological system – from raw materials to manufacturing, finishing and packaging to recycling. At the same time, we never compromise on our high standards of quality, functionality, design, manufacturing, finishing and sustainability. For over sixty years, BUG has been a hallmark of innovative development and quality Made in Germany.

Find out more at www.bug.de

BUG contents

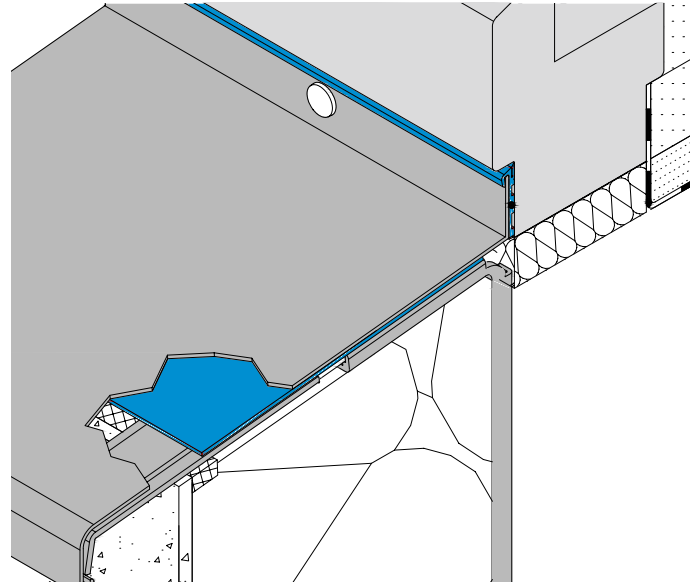
Chapter 1 – About BUG	2–5
BUG locations	3
About BUG	4
BUG contents	5
<hr/>	
Chapter 2 – Window ledge systems	6–14
Window ledge installation	6
BUG Softline Plus window ledge	7
BUG sliding closures	8
BUG compact closures	8
Multi-interface preparation of the trade hole	9
BUG butt & corner connectors	10
BUG window ledge brackets	11
BUG system accessories & special accessories	12
BUG seals	13
BUG special constructions	14
BUG accessories	14
<hr/>	
Chapter 3 – CAD drawing administration	15
CAD drawing administration	15
<hr/>	
Chapter 4 – Combined window ledge system	16–17
BUG System 500	16–17
<hr/>	
Chapter 5 – Component tests	18–26
BUG test certificates	18–26
<hr/>	
Chapter 6 – References	27
BUG references	27
<hr/>	
Chapter 7 – Technical information	28–30
Installation	28–29
Alloys & coatings	30
<hr/>	
Chapter 8 – System overview	31
BUG system overview	31

Window ledge installation

Apart from the design aspect, the main function of the outer window ledge is weather protection. The window ledge and all its elements must channel surface water away from the window and façade in a controlled way and prevent any water from penetrating into the structure.

General guidelines apply. For further information on installation, see p. 28–29

- // For noise insulation (e.g. noise from rain), the window ledge can be fitted with sound dampening.
- // The 5° runoff inclination must still be present after installation.
- // From a window ledge length of 3 metres, the window ledge must be constructed in multiple parts with an expansion joint which ensures water tightness under heavy rain.
- // Install the window ledge screw plate so that it reaches under the frame.
- // If window ledges intended to be walked on are required, this must be specified separately.



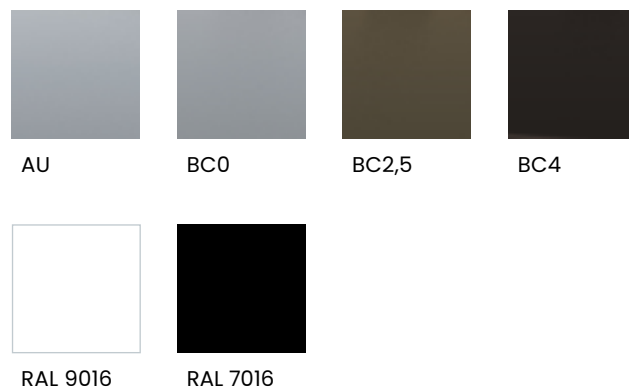
Installation must be based on general guidelines, recommendations and DIN standards

This brochure documents the general application scope of the BUG Aluminium-Systeme product programme.

The data, information and visualisations of all types provided by ST Extruded Products Germany GmbH may deviate from the product in the concrete application due to the specific construction, production and installation requirements. The customer is itself responsible for checking the plausibility of the data, information and visualisations of all types provided. The contents of the recommendations, guidelines, instructions and DIN standards must be taken into account. Procedures that involve different trade professionals must be determined, coordinated and agreed upon.

- // DIN EN 13914-1 09 2016, 6.16.5 Window ledges and door sills: Beuth Verlag
- // Installation guideline: RAL-Gütegemeinschaft Fenster und Haustüren e.V.
- // Guideline on connectors on windows and roller shutters on plaster, composite thermal insulation systems and drywall constructions: Fachverband der Stuckateure für Ausbau und Fassade
- // Guideline on metal connectors on plaster, external thermal insulation composite systems (ETICS): Fachverband der Stuckateure für Ausbau und Fassade
- // Guideline on window ledges for installation in ETICS and plaster façades in suspended façades as well as for interior window ledges: Österreichische Arbeitsgemeinschaft Fensterbank
- // Recommendations for the installation/replacement of metal window ledges (ETICS façades): Gütegemeinschaft Wärmedämmung von Fassaden e.V.

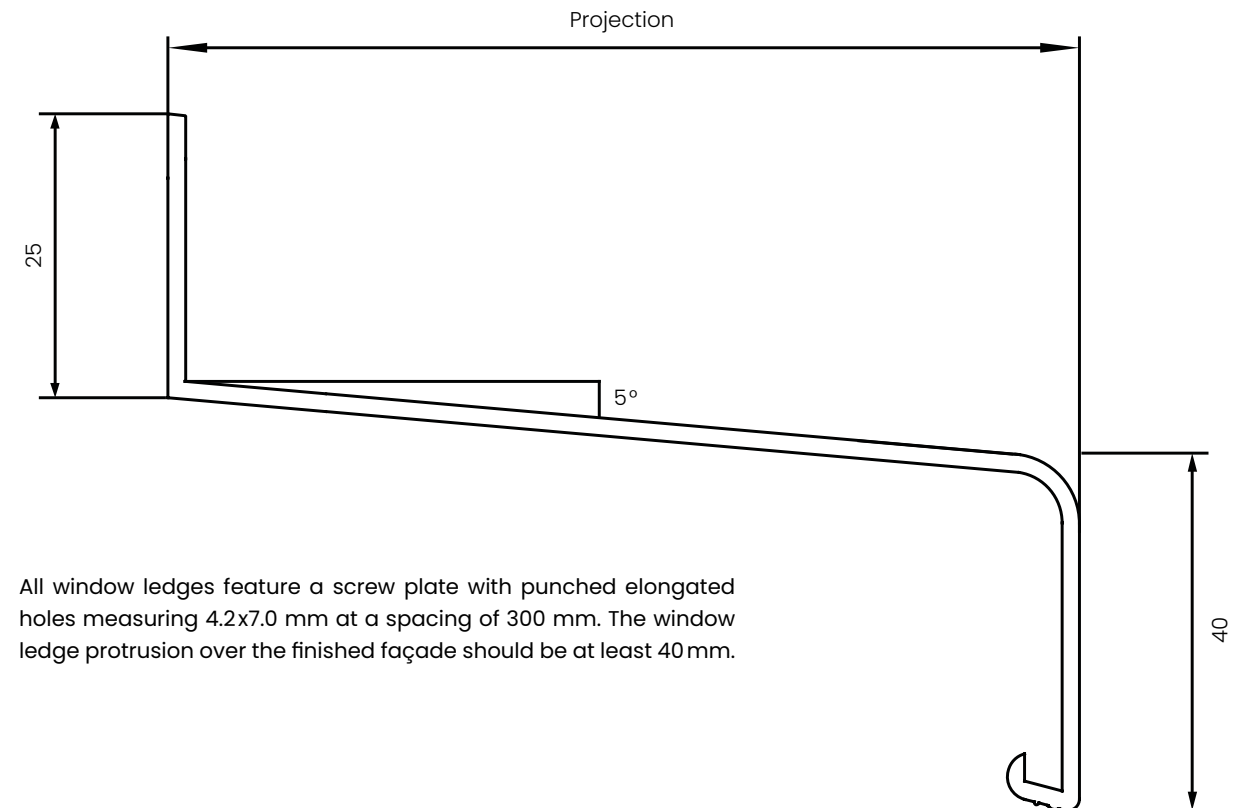
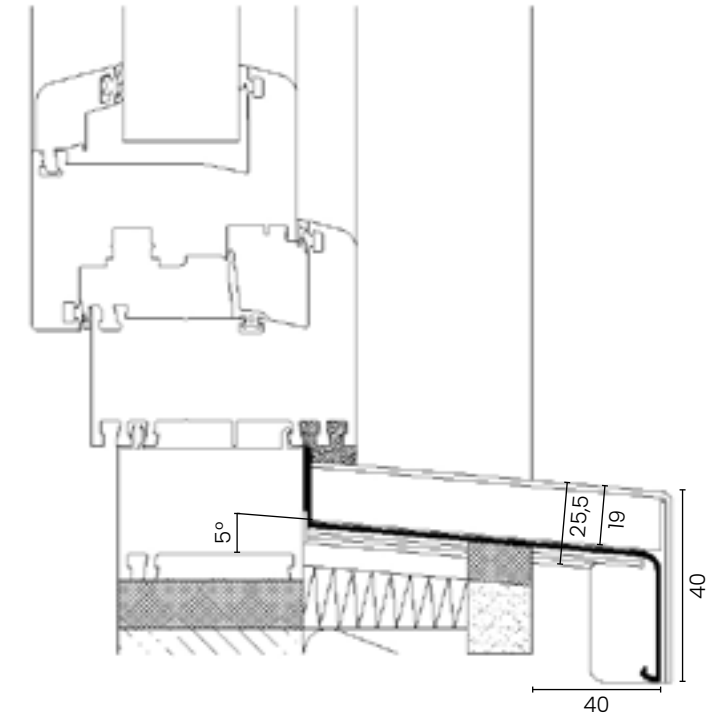
Name	Colour	Code
AU	Aluminium without surface finishing	000
BC0	Anodised natural colour	601
BC2.5	Anodised medium bronze	646
BC4	Anodised deep bronze	644
RAL 9016	Thermal paint white	931
RAL 7016	Thermal paint, anthracite	716



Further anodisation & RAL colours available on request.

BUG Softline Plus window ledge

Name	Drip edge in mm	Projection in mm	Sales unit PU in pcs
205 050	40	50	6
205 070	40	70	6
205 090	40	90	6
205 110	40	110	8
205 130	40	130	8
205 150	40	150	6
205 165	40	165	6
205 180	40	180	6
205 195	40	195	6
205 210	40	210	4
205 225	40	225	4
205 240	40	240	4
205 260	40	260	4
205 280	40	280	4
205 300	40	300	2
205 320	40	320	2
205 340	40	340	2
205 360	40	360	2
205 426	40	380	2
205 400	40	400	2




All window ledges feature a screw plate with punched elongated holes measuring 4.2x7.0 mm at a spacing of 300 mm. The window ledge protrusion over the finished façade should be at least 40 mm.

BUG sliding closures



A 500 V

Decoupled two-part sliding closure A 500 V for plaster and ETICS façades with compensation of thermal length variation of +2mm/-2mm. Provision for integration of a roller shutter guide rail. Water tightness under heavy rain tested up to 1,950 Pa. Component of the BUG System 500 window ledge system tested for water tightness under heavy rain. Material: aluminium and special plastic. Plaster edge width: 24mm and 34mm. 

Type	Name	Projection in mm	Deduction measurement (mm) per side	Sales unit in pcs.
Softline Plus	A 500 V / 24	150-400	5.6	30
Softline Plus	A 500 V / 34	150-400	5.6	30



BUG compact closures



A 700

A 700 compact closure for plaster façades. Optionally, the roller shutter guide rail can be unclipped. In combination with DFT 40, a water tightness under heavy rain of 1,950 Pa has been documented. Material: aluminium, material thickness 2 mm. Plaster edge width: 22 mm.

Type	Name	Projection in mm	Deduction measurement (mm) per side	Sales unit in pcs.
Softline Plus	A 700 / 22	50-400	2	30



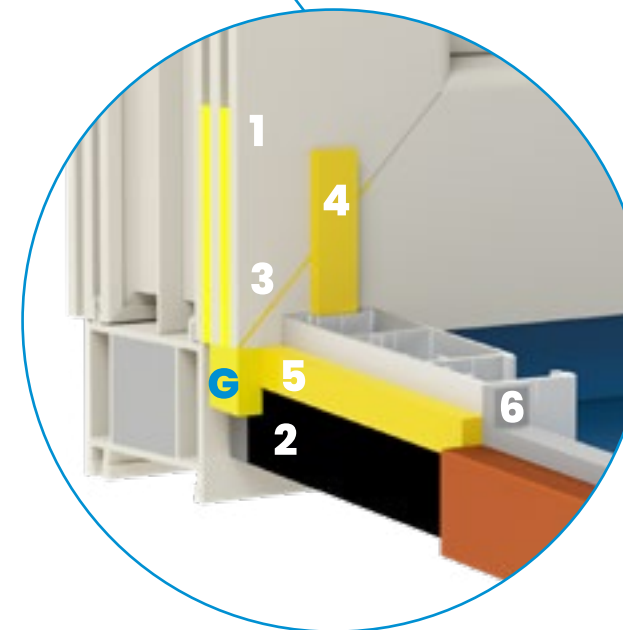
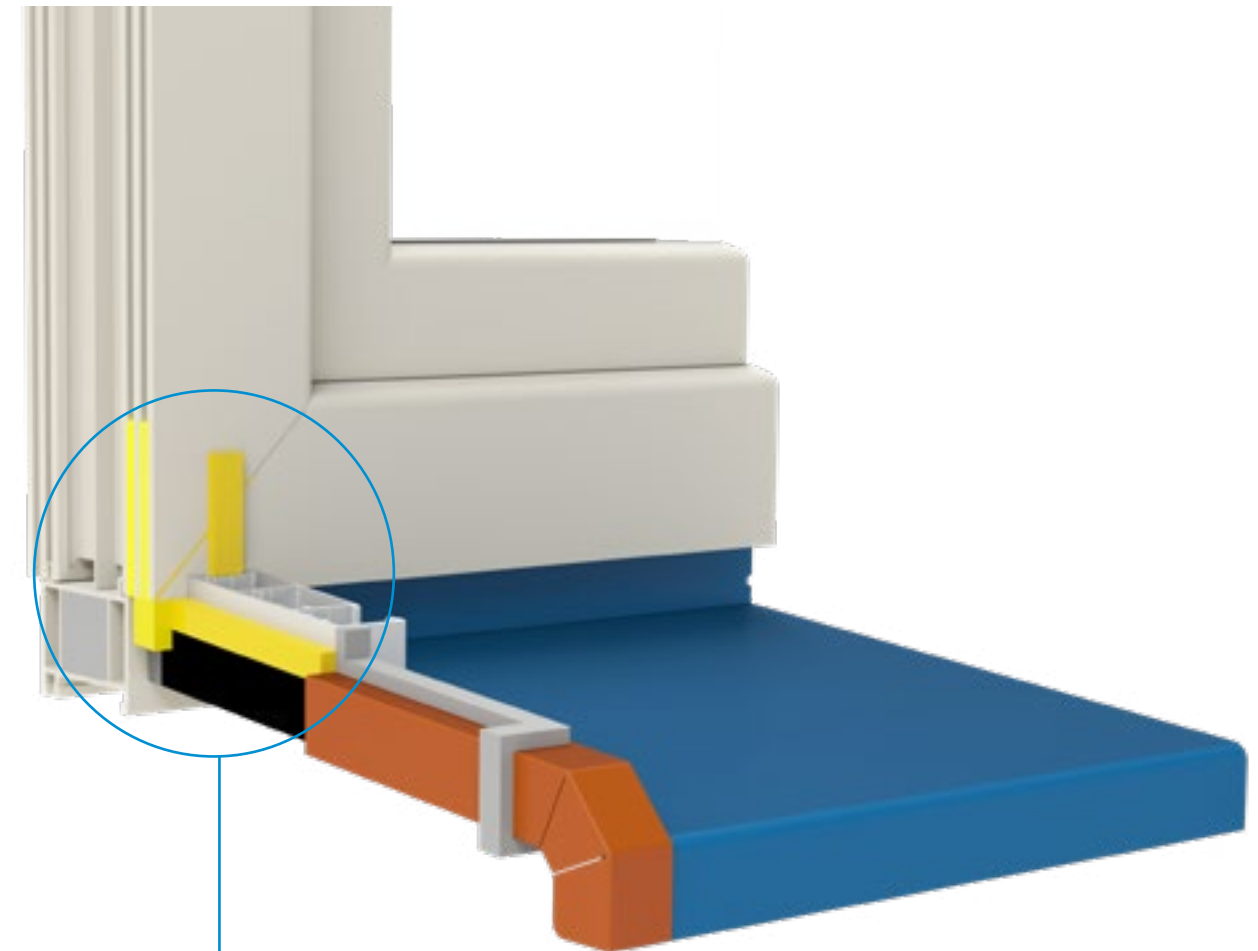
A 150

A 150 compact closure for concrete and brick façades. In combination with DFT 40 a water tightness under heavy rain of 1,950 Pa has been documented. Material: aluminium, material thickness 2 mm.

Type	Name	Projection in mm	Deduction measurement (mm) per side	Sales unit in pcs.
Softline Plus	A 150	50-400	2	30



Multi-interface preparation of the trade hole



1. Sealing for plastic windows, 60 mm horizontal & vertical
2. Window ledge installation
3. Sealing of the mitre (groove) on the cover frame
4. Sealing of the roller shutter guide rail
5. Optional sealing of the RBGR depending on sliding closure variants & versions
6. Type for "plaster" trade

G Multi-interface preparation of the trade hole

During construction for recessed installation, ensure the window ledge is not inserted into and installed in the plastic window groove.

BUG butt & corner connectors



H 500 D

H 500 D butt connector for secure connection of window ledge butts. Water tightness under heavy rain tested up to 1,950 Pa. Compensation of thermal length variation +3mm/-3mm. Component of the BUG System 500 window ledge system tested for water tightness under heavy rain. Material: aluminium and corner-vulcanised EPDM seal.

Note: In combination with AD 500 screw-on gasket, a shaped gasket piece must be used.

Type	Name	Projection in mm	Deduction measurement (mm) per side	Sales unit in pcs.
Softline Plus	H 500 D	50-400	4	10



A 500 D

A 500 D external corner connector for secure connection of window ledge butts on external corners. Water tightness under heavy rain tested up to 1,950 Pa. Compensation of thermal length variation +3mm/-3mm. Component of the BUG System 500 window ledge system tested for water tightness under heavy rain. Material: aluminium and corner-vulcanised EPDM seal.

Type	Name	Projection in mm	Deduction measurement (mm) per side	Sales unit in pcs.
Softline Plus	A 500 D / 90	50-400	4	5
Softline Plus	A 500 D / 135	50-400	4	5



I 500 D

I 500 D internal corner connector for secure connection of window ledge butts on internal corners. Water tightness under heavy rain tested up to 1,950 Pa. Compensation of thermal length variation +3mm/-3mm. Component of the BUG System 500 window ledge system tested for water tightness under heavy rain. Material: aluminium and corner-vulcanised EPDM seal.

Type	Name	Projection in mm	Deduction measurement (mm) per side	Sales unit in pcs.
Softline Plus	I 500 D / 90	50-400	4	5
Softline Plus	I 500 D / 135	50-400	4	5

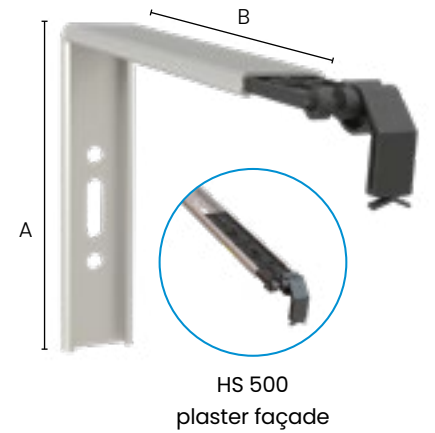


BUG window ledge brackets

HS 500

The HS 500 bracket system is suitable for brick, plaster and ETICS façades. HS 500 has a continuously adjustable slide-in element with an attachable rotating head. Flexibly adjustable bracket system for on-site adjustment on the building. The system stabilises the window ledge and keeps it in place. Component of the BUG System 500 window ledge system tested for water tightness under heavy rain. Material: special plastic and aluminium with a material thickness of 1.6 mm.

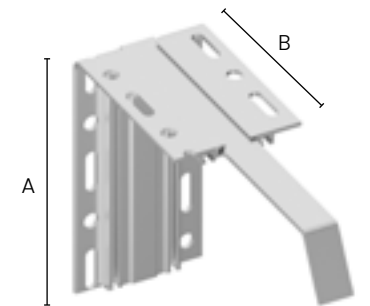
Type	Name	Adjustable from (mm)	A dimension	B dimension	Sales unit pcs.
Softline Plus	HS 500 size 1	90-120	150	50	10
Softline Plus	HS 500 size 2	120-170	150	80	10
Softline Plus	HS 500 size 3	170-220	150	130	10
Softline Plus	HS 500 size 4	220-270	150	180	10
Softline Plus	HS 500 size 5	270-320	150	230	10
Softline Plus	HS 500 size 6	320-370	150	280	10
Softline Plus	HS 500 size 7	370-420	150	330	10
Softline Plus	HS 500 / brick	155-205		115	10
Softline Plus	HS 500 / plaster façade		200	20	10



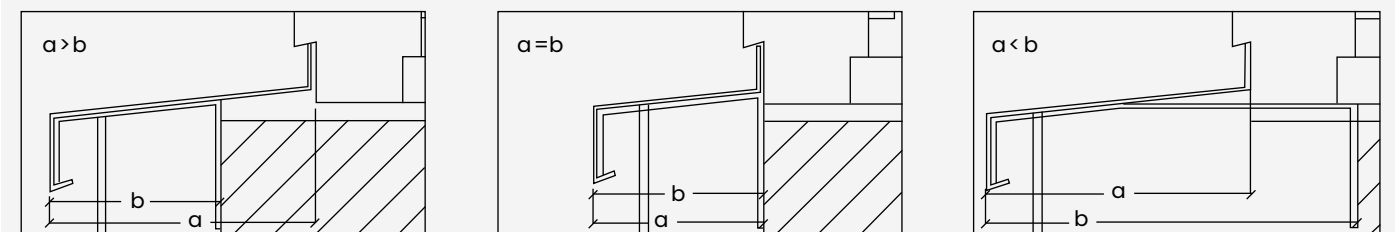
Window ledge bracket

Adjustable window ledge bracket for BUG window ledges. Material: aluminium, material thickness 2.5 mm.

Type	Name	Adjustable from (mm)	A dimension	B dimension	Sales unit pcs.
Softline Plus	Window ledge bracket 205 910	120-220	130	95	10
Softline Plus	Window ledge bracket 205 985	230-300	150	210	10
Softline Plus	Window ledge bracket 205 986	310-390	150	290	10

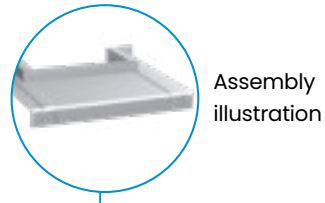


! INSTALLATION INFORMATION



No.	Window ledge projection a	Protrusion over load-bearing wall b	Window ledge length ≤ 80 cm – Arrangement of the brackets	Window ledge length > 80 cm – Spacing from bracket to bracket
1	< 15 cm		No bracket	no bracket
2	≥ 15 to 24 cm	< 16 cm	1 bracket in centre	approx. 100 cm
3	≥ 15 cm	≥ 16 cm	1 bracket in centre	approx. 60 cm

BUG system accessories & special accessories



Assembly illustration

P 500 pillar recess

The P 500 pillar recess is a combination of the BUG P 500 plaster connector profile and the BUG H 500 D butt connector. It is tested for water tightness under heavy rain up to 1,500 Pa. Component of the BUG System 500 window ledge system tested for water tightness under heavy rain. Material: aluminium and corner-vulcanised EPDM seal, filler element made of EPS and polymer sealing material.

Note: Use in combination with a shaped gasket piece.

Type	Name	Projection in mm	Sales unit in pcs.
Softline Plus	P 500 / 100	100	5
Softline Plus	P 500 / 200	200	5
Softline Plus	P 500 / 350	350	5

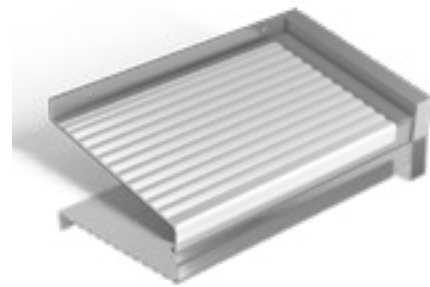
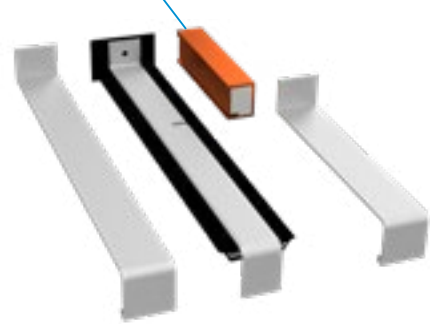


Step protection profile

The step protection profile protects against slipping and dirt. The special surface structure ensures dirty water flows off in a controlled way. Quick and easy installation on the window ledge. Material: aluminium.

Note: Window ledges that can be stepped on are only possible in combination with a suitable substructure.

Type	Name	In-stock length in mm	Sales unit PU in pcs.
Special accessories	Step protection profile 205 415 TSP 15	6,000	1
Special accessories	Step protection profile 205 421 TSP 21	6,000	1



BUG seals

AD 500 screw-on seal

The AD 500 screw-on seal is a self-adhesive and durably adhesive sealing tape with integrated drip edge. Water tightness under heavy rain tested up to 1,500 Pa. Very easy to use and ensures defined water drainage. Tested for recessed and flush installation types. Provides additional options for renovations. BUG H 500 D butt connectors can be integrated. Material: EPDM and adhesive mounting tape.

Type	Name	Material thickness in mm	Sales unit in m
EPDM	AD 500 screw-on seal	2	40

Connector seal

The connector seal with integrated slip-on lip Material: EPDM.

Type	Name	Material thickness in mm	Sales unit in m
EPDM	Window ledge connector seal 201 418	2	50

DFT 40 shaped gasket piece

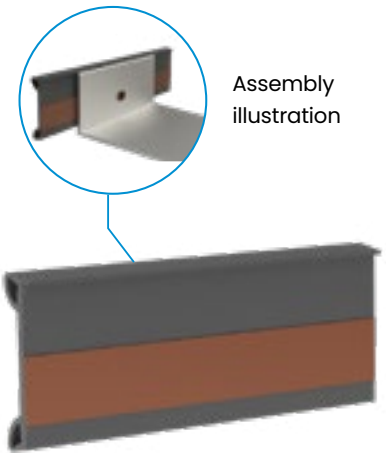
The DFT 40 for professional and easy sealing of the joint between the window ledge screw plate and the slot-on window ledge closure. Before adhering, ensure the adhesion surfaces are dry and free of dust and grease. Observe EU safety data sheet 218 000 070. Material: butyl rubber, polyisobutylene, filler and auxiliary materials.

Type	Name	Sales unit in pcs.
Softline Plus	DFT 40 shaped gasket piece for window ledges 209 540	200

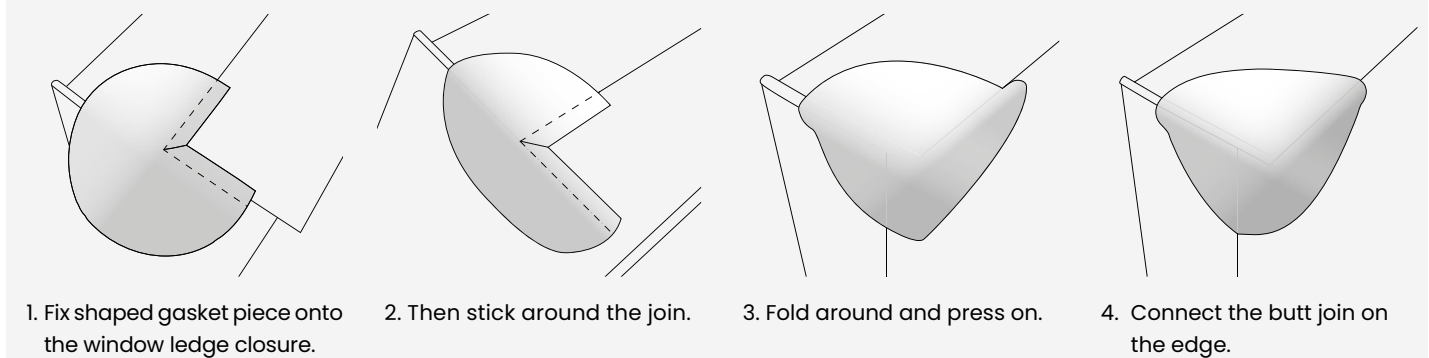
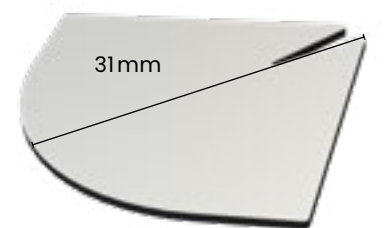
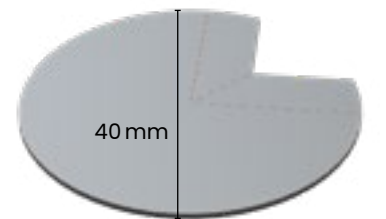
DFT 31 shaped gasket piece

The DFT 31 for professional and easy sealing of the joint between the window ledge screw plate and the slot-on window ledge closure. Before adhering, ensure the adhesion surfaces are dry and free of dust and grease. Observe EU safety data sheet 218 000 070. Material: butyl rubber, polyisobutylene, filler and auxiliary materials.

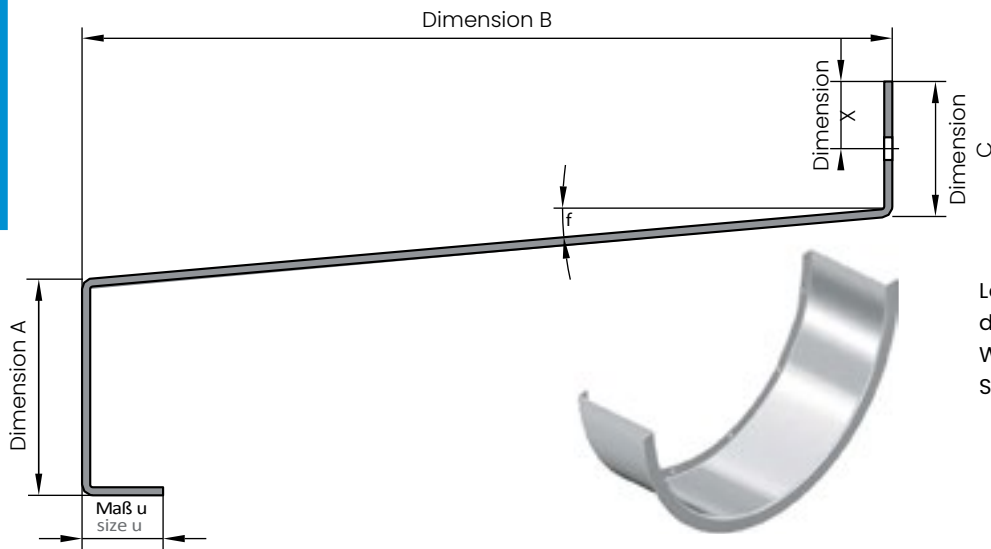
Type	Name	Sales unit in pcs.
Softline Plus	DFT 31 shaped gasket piece	540



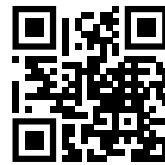
Assembly illustration



BUG special constructions



Looking for a customised aluminium window ledge exactly to your specifications? Would you like to talk to one of our experts? Simply contact us!



BUG accessories

Sound-dampening strips

Sound-dampening strips optimally reduce the sound of dripping. They are self-adhesive on one side. You can simply cut them to length with a knife. They are adhered to the underside of the window ledge. Material: bitumen foil with PE liner with a material thickness of 1.6 mm.

Note: Adhere sound-dampening strips to one third of the window ledge projection.

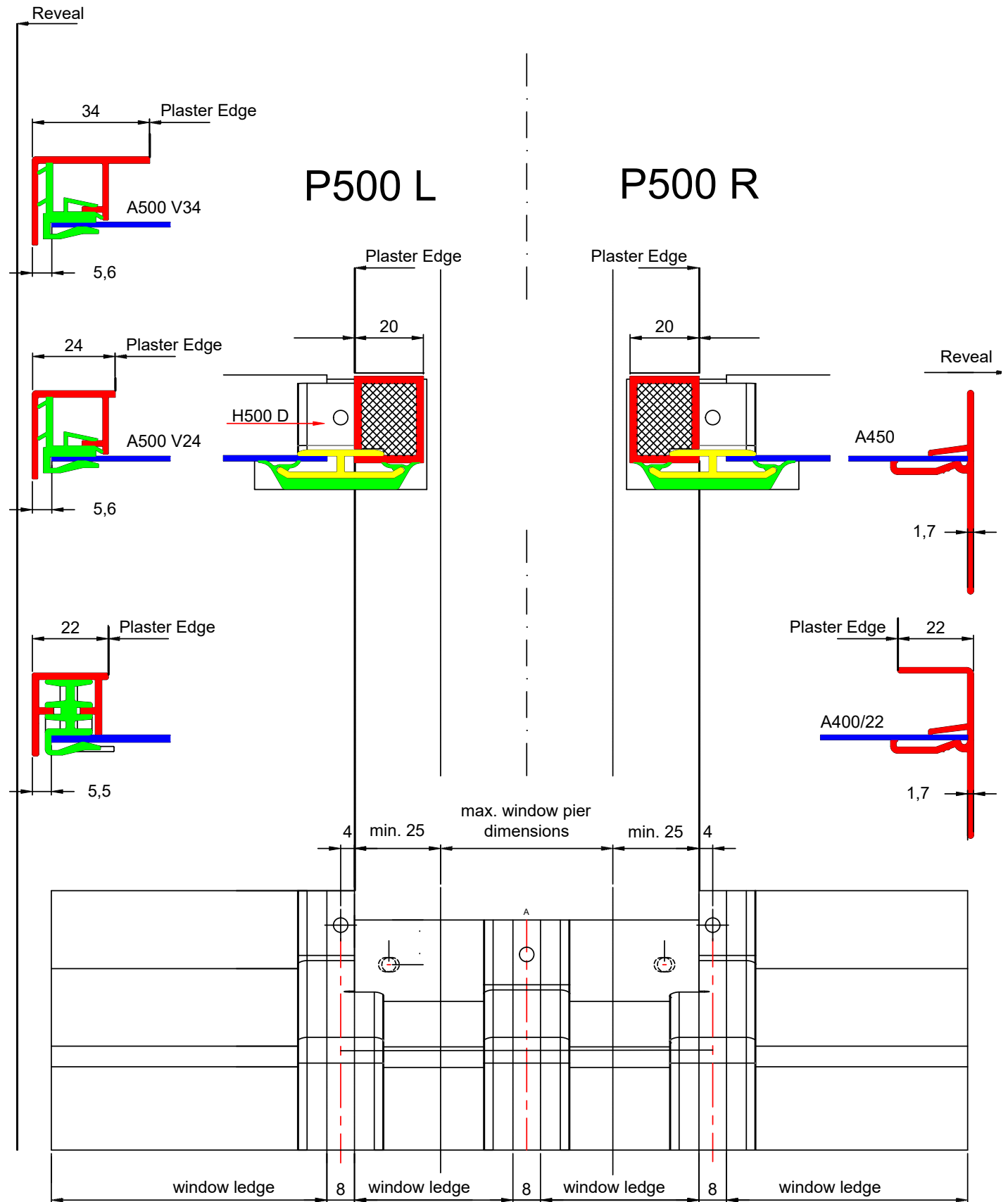
Type	Name	Projection in mm	Sales unit in m
1,000x30x1.5 mm	Sound-dampening strip 56010013	30	100
1,000x50x1.5 mm	Sound-dampening strip 56010012	50	100
1,000x80x1.5 mm	Sound-dampening strip 56010011	80	100

Stainless steel screws

Fixing screws with plastic washers and cover caps for BUG window ledges. Material: A2 stainless steel & plastic.

Type	Name	Sales unit in pcs.
TX 15 3.9x25 A 2	Screw + cover cap with washer, brown 209 618 (928 382 + 928 809)	100
TX 15 3.9x25 A 2	Screw + cover cap with washer, light grey 209 619 (928 382 + 928 810)	100
TX 15 3.9x25 A 2	Screw + cover cap with washer, white 209 621 (928 382 + 928 834)	100
TX 15 3.9x25 A 2	Screw + cover cap with washer, black and moss-green 209 620 (928 382 + 928 812)	100

CAD drawing administration



Scale A3 [1:2]



BUG System 500



Window ledge

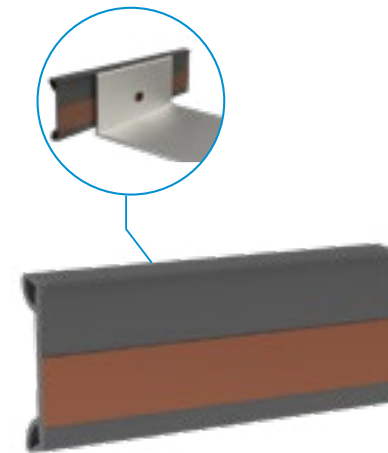
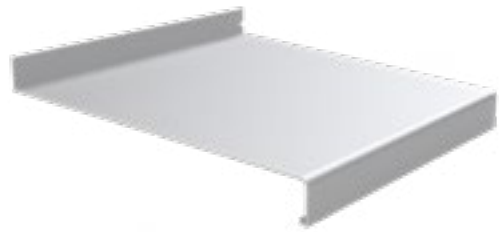
Sliding closure A 500 V

H 500 D butt connector

P 500 pillar recess

AD 500 screw-on seal

HS 500 window ledge bracket



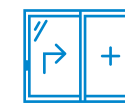
Quick and easy installation



Lengths can be flexibly adjusted on site in case of dimensional changes



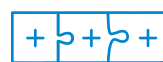
Tested water tightness under heavy rain



Reliably absorbs thermal elongation



Tested and matched system components



Combines the components A 500 V, H 500 D and P 500 with the screw-on gasket AD 500



Real-world application variants, tested e.g. with integrated roller shutter guide



Tested at the ift Rosenheim institute

Kurzfassung

Nr. 14-000243-PR01 (PB 02-E04-02-de-03)

zu Prüfbericht

Nr. 14-000243-PR01 (PB 01-E04-02-de-02)

Schlagregendichtheit von seitlichen Fensterbankabschlüssen

Auftraggeber	ST Extruded Products Germany GmbH Bergstr. 17 88267 Vogt Deutschland
Produkt	Aluminium-Fensterbank mit Gleitabschluss A 500 V Aluminium-Fensterbank Standard Gleitabschluss A 500 V 34 Art.-Nr. 202259 (links) und Art.-Nr. 202260 (rechts) Variante 1: Führungsschiene ist im Gleitabschluss integriert, Führungsschiene und Gleitabschluss mit flächenbündiger Ausführung zur Putzkante Variante 2: Gleitabschluss mit nicht flächenbündiger Ausführung zur Putzkante
Bezeichnung	Aluminium / ABS
Fensterbank	Fensterbankprofil Aluminium stranggepresst
Einbausituation	Die Prüfung erfolgte für eine nicht hinterlüftete Einbausituation. Der seitliche und untere Anschluss der Fensterbank zum Mauerwerk war nicht Bestandteil der Überprüfung. Dieser ist in Abhängigkeit der Einbausituation fachgerecht nach anerkannten Regeln der Technik auszuführen.
Abweichung zur Prüfnorm	*) Die Überprüfung wurde in Anlehnung an EN 1027, Fenster und Türen – Schlagregendichtheit – Prüfverfahren, durchgeführt. Abweichend von dieser Norm wurde statt 15 Minuten ohne Winddruckbelastung über 60 Minuten drucklos beregnet.
Ergebnis	Schlagregendichtheit bei nicht hinterlüftetem Einbau der Fensterbank und praktisch luftdichtem Anschluss des Fensters zur Raumseite ($a < 0,1 \text{ m}^3/[\text{h m (daPa)}^{2/3}]$) kein Wassereintritt bis 1950 Pa



Grundlagen
Prüfnorm:
EN 1027 : 2000-06 *)

Ersetzt Kurzfassung Nr. 14-000243-PR01 (PB 02-E04-02-de-02) vom 12.04.2018

Darstellung



Verwendungshinweise
Dieser Prüfbericht dient zum Nachweis der oben genannten Eigenschaften

Gültigkeit
Die Daten und Ergebnisse beziehen sich ausschließlich auf den geprüften und beschriebenen Probekörper.
Die Prüfergebnisse wurden im Neuzustand ermittelt und ermöglichen keine Aussage über weitere Leistungs- und qualitätsbestimmenden Eigenschaften der vorliegenden Konstruktion, insbesondere Witterungs- und Alterungserscheinungen wurden nicht berücksichtigt.

Veröffentlichungshinweise
Es gilt das "Merkblatt zur Benutzung von ift-Prüfdokumentationen". Das Deckblatt kann als Kurzfassung verwendet werden.

Inhalt
Der Nachweis umfasst insgesamt 24 Seiten
1 Problemstellung
2 Gegenstand
3 Durchführung
4 Ergebnisse
5 Hinweise zur Benutzung von ift-Prüfberichten

ift Rosenheim
30.10.2018

Thomas Stefan, Dipl.-Ing. (FH)
Prüfstellenleiter
Bauteilprüfung

Thomas Krichbaumer
Prüfingenieur
Bauteilprüfung

ift Rosenheim GmbH
Theodor-Gietl-Str. 7-9
D-83026 Rosenheim
Kontakt
Tel. +49 8031 261-0
Fax +49 8031 261-290
www.ift-rosenheim.de

Prüfung und Kalibrierung – EN ISO/IEC 17025
Inspektion – EN ISO/IEC 17020
Zertifizierung Produkte – EN ISO/IEC 17065
Zertifizierung Managementsysteme – EN ISO/IEC 17021



Nachweis

Schlagregendichtheit Fensterbanksystem

Gutachtliche Stellungnahme

Nr. 15-001762-PR04

(GAS-E04-02-de-01)



Auftraggeber	ST Extruded Products Germany GmbH Bergstr. 17 88267 Vogt Deutschland
Produkt	Aluminium-Fensterbank mit seitlichen Fensterbankabschlüssen Aluminium-Fensterbank Softline Plus mit seitlichen Fensterbankabschlüssen A700 und A150 in Verwendung mit Dichtungsformteilen BUG DFT 40
Bezeichnung	Aluminium-Fensterbank Softline Plus mit 40 mm Tropfkante. Zwischen Anschraubsteg und Fensterbankfalz vorkomprimiertes Dichtungsband; Befestigung durch Fensterbankschrauben mit Kunststoffscheiben und Abdeckkappen. Fensterbankabschlüsse A 700 und A150 aus Aluminium mit Dichtungsformteilen BUG DFT40 aus Aluminium/Butyl in den hinteren Eckbereichen.
Leistungsrelevante Produktdetails	Übertragung der Ergebnisse des geprüften Aluminium-Fensterbanksystems Standard 150 (30 mm Tropfkante) mit seitlichen Gleitabschlüssen A450 und A400/22, sowie BUG DFT 40 Dichtungsformteilen.
Gegenstand	Der seitliche und untere Anschluss zum Baukörper war nicht Bestandteil der Prüfung und ist in Abhängigkeit der Einbausituation fachgerecht nach anerkannten Regeln der Technik auszuführen.
Besonderheiten	

Ergebnis	Schlagregendichtheit bei nicht hinterlüftetem Einbau der Fensterbank und praktisch luftdichtem Anschluss des Fensters zur Raumseite ($a < 0,1 \text{ m}^3/[\text{h m (daPa)}^{2/3}]$) kein Wassereintritt bis 1950 Pa
----------	---

Grundlagen
Prüfnormen:
EN 1027 : 2000-06

Entsprechende nationale Fassungen (z.B. DIN EN)

Prüfbericht:
15-001762-PR01 (PB-E04-02-de-02) vom 05.10.2015

Verwendungshinweise
Diese Gutachtliche Stellungnahme dient zum Nachweis der nebenstehenden Eigenschaften für Fensterbänke

Gültigkeit
Die genannten Daten und Einzelergebnisse beziehen sich ausschließlich auf den geprüften/ beschriebenen Probekörper. Die Klassifizierung gilt so lange das Produkt unverändert ist und die o. g. Grundlagen sich nicht geändert haben.
Diese Prüfung/Bewertung ermöglicht keine Aussage über weitere leistungs- und qualitätsbestimmende Eigenschaften der vorliegenden Konstruktion; insbesondere Witterungs- und Alterungseinflüsse wurden nicht berücksichtigt.

Veröffentlichungshinweise
Es gilt das "Merkblatt zur Benutzung von ift-Prüfdokumentationen".

Das Deckblatt kann als Kurzfassung verwendet werden.

Inhalt
Die Gutachtliche Stellungnahme umfasst insgesamt 7 Seiten

1 Auftrag
2 Grundlage
3 Beurteilung
4 Ergebnis und Aussage

ift Rosenheim
12.11.2015

Andreas Graf, MSc, Dipl.-Ing. (FH)
Stv. Prüfstellenleiter
Bauteilprüfung

Thomas Stefan, Dipl.-Ing. (FH)
Prüfingenieur
Bauteilprüfung

ift Rosenheim GmbH
Theodor-Gietl-Str. 7-9
D-83026 Rosenheim
Kontakt
Tel. +49 8031 261-0
Fax +49 8031 261-290
www.ift-rosenheim.de

Prüfung und Kalibrierung – EN ISO/IEC 17025
Inspektion – EN ISO/IEC 17020
Zertifizierung Produkte – EN ISO/IEC 17065
Zertifizierung Managementsysteme – EN ISO/IEC 17021



Nachweis

Schlagregendichtheit Fensterbanksystem

Gutachtliche Stellungnahme

Nr. 15-001762-PR05

(GAS-E04-02-de-01)



Auftraggeber	ST Extruded Products Germany GmbH Bergstr. 17 88267 Vogt Deutschland
Produkt	Aluminium-Fensterbank mit Stoßverbindung
Bezeichnung	Aluminium-Fensterbank Softline Plus Aluminium-Stoßverbinder H500D Plus mit EPDM Dichtteil
Leistungsrelevante Produktdetails	Aluminium-Fensterbank Softline Plus mit 40 mm Tropfkante. Zwischen Anschraubsteg und Fensterbankfalz vorkomprimiertes Dichtungsband; Befestigung durch Fensterbankschrauben mit Kunststoffscheiben und Abdeckkappen. Steckverbindung durch Aluminium-Stoßverbinder H500D Plus mit EPDM-Dichtteil.
Gegenstand	Übertragung der Ergebnisse des geprüften Aluminium-Fensterbanksystems Standard 150 (30 mm Tropfkante) mit Stoßverbinder H500D mit EPDM-Dichtteil.
Besonderheiten	Der seitliche und untere Anschluss zum Baukörper war nicht Bestandteil der Prüfung und ist in Abhängigkeit der Einbausituation fachgerecht nach anerkannten Regeln der Technik auszuführen.

Grundlagen
Prüfnormen:
EN 1027 : 2000-06

Entsprechende nationale Fassungen (z.B. DIN EN)

Prüfbericht:
15-001762-PR03 (PB 1-E04-02-de-01) vom 05.10.2015

Verwendungshinweise
Diese Gutachtliche Stellungnahme dient zum Nachweis der nebenstehenden Eigenschaften für Fensterbänke.

Gültigkeit
Die genannten Daten und Einzelergebnisse beziehen sich ausschließlich auf den geprüften/ beschriebenen Probekörper. Die Klassifizierung gilt so lange das Produkt unverändert ist und die o. g. Grundlagen sich nicht geändert haben. Diese Prüfung/Bewertung ermöglicht keine Aussage über weitere leistungs- und qualitätsbestimmende Eigenschaften der vorliegenden Konstruktion; insbesondere Witterungs- und Alterungseinflüsse wurden nicht berücksichtigt.

Veröffentlichungshinweise
Es gilt das "Merkblatt zur Benutzung von ift-Prüfdokumentationen".
Das Deckblatt kann als Kurzfassung verwendet werden.

Inhalt
Die Gutachtliche Stellungnahme umfasst insgesamt 5 Seiten

1 Auftrag
2 Grundlage
3 Beurteilung
4 Ergebnis und Aussage

Ergebnis	Schlagregendichtheit
	bei nicht hinterlüftetem Einbau der Fensterbank und praktisch luftdichtem Anschluss des Fensters zur Raumseite ($a < 0,1 \text{ m}^3/[\text{h m (daPa)}^{2/3}]$)
kein Wassereintritt bis 1950 Pa	

ift Rosenheim
12.11.2015


Andreas Graf, MSc, Dipl.-Ing. (FH)
Stv. Prüfstellenleiter
Bauteilprüfung


Thomas Stefan, Dipl.-Ing. (FH)
Prüfingenieur
Bauteilprüfung



Schlagregendichtheit Fensterbanksystem

Gutachtliche Stellungnahme

Nr. 15-001762-PR06

(GAS-E04-11-de-01)

Auftraggeber	ST Extruded Products Germany GmbH Bergstr. 17 88267 Vogt Deutschland
Produkt	Aluminium-Fensterbank mit Stoßverbindung
Bezeichnung	Aluminium-Fensterbank Standard und Plus Aluminium-Eck-Stoßverbinder IE 90° H500D; AE 90° H500D; IE 135° H500D; AE 135° H500D für Standard und Plus
Leistungsrelevante Produktdetails	Aluminium-Fensterbank Standard und Plus. Zwischen Anschraubsteg und Fensterbankfalz vorkomprimiertes Dichtungsband; Befestigung durch Fensterbankschrauben mit Kunststoffscheiben und Abdeckkappen. Steckverbindung durch Aluminium-Stoßverbinder IE 90°, AE 90°, IE 135°, AE 135° mit EPDM-Dichtteil.
Gegenstand	Übertragung der Ergebnisse des geprüften Aluminium-Fensterbanksystems Standard mit Stoßverbinder H500 D mit EPDM-Dichtteil auf gleiche Ausführung mit Eck-Stoßverbinder sowie auf die Ausführung als Fensterbank Plus
Besonderheiten	Der seitliche und untere Anschluss zum Baukörper war nicht Bestandteil der Prüfung und ist in Abhängigkeit der Einbausituation fachgerecht nach anerkannten Regeln der Technik auszuführen.

Grundlagen
Prüfnormen:
EN 1027 : 2000-06

Entsprechende nationale Fassungen (z.B. DIN EN)

Prüfbericht:
15-001762-PR03 (PB 1-E04-02-de-01) vom 05.10.2015

Verwendungshinweise
Diese Gutachtliche Stellungnahme dient zum Nachweis der nebenstehenden Eigenschaften für Fensterbänke.

Gültigkeit
Die genannten Daten und Einzelergebnisse beziehen sich ausschließlich auf den geprüften/ beschriebenen Probekörper. Die Klassifizierung gilt so lange das Produkt unverändert ist und die o. g. Grundlagen sich nicht geändert haben. Diese Prüfung/Bewertung ermöglicht keine Aussage über weitere leistungs- und qualitätsbestimmende Eigenschaften der vorliegenden Konstruktion; insbesondere Witterungs- und Alterungseinflüsse wurden nicht berücksichtigt.

Veröffentlichungshinweise
Es gilt das "Merkblatt zur Benutzung von ift-Prüfdokumentationen".
Das Deckblatt kann als Kurzfassung verwendet werden.

Inhalt
Die Gutachtliche Stellungnahme umfasst insgesamt 20 Seiten

1 Auftrag
2 Grundlage
3 Beurteilung
4 Ergebnis und Aussage

Ergebnis	Schlagregendichtheit
	bei nicht hinterlüftetem Einbau der Fensterbank und praktisch luftdichtem Anschluss des Fensters zur Raumseite ($a < 0,1 \text{ m}^3/[\text{h m (daPa)}^{2/3}]$)
kein Wassereintritt bis 1950 Pa	

ift Rosenheim
11.05.2018


Andreas Graf, MSc, Dipl.-Ing. (FH)
Stv. Prüfstellenleiter
Bauteilprüfung


Thomas Stefan, Dipl.-Ing. (FH)
Prüfingenieur
Bauteilprüfung

Kurzfassung

Nr. 20-000736-PR03
(PB 2-E04-02-de-01)

zu Prüfbericht

Nr. 20-000736-PR03 (PB 1-E04-02-de-01)

Schlagregendichtheit von seitlichen Fensterbankabschlüssen

Auftraggeber	ST Extruded Products Germany GmbH BUG Aluminium-Systeme Bergstr. 17 88267 Vogt Deutschland
Produkt	Schlagregendichtes Fensterbanksystem
Bezeichnung	Aluminium-Fensterbank 201250 Aluminium-Fensterbank 201150 Pfeileraussparung P500 Dichtformteil DFT40
Material	Aluminium / EPDM / Butyl
Fensterbank	Fensterbankprofil Aluminium stranggepresst
Einbausituation	Die Prüfung erfolgte für eine nicht hinterlüftete Einbausituation. Der seitliche und untere Anschluss der Fensterbank zum Mauerwerk war nicht Bestandteil der Überprüfung. Dieser ist in Abhängigkeit der Einbausituation fachgerecht nach anerkannten Regeln der Technik auszuführen.

*) Die Überprüfung wurde in Anlehnung an EN 1027, Fenster und Türen – Schlagregendichtheit – Prüfverfahren, durchgeführt. Abweichend von dieser Norm wurde statt 15 Minuten ohne Winddruckbelastung über 60 Minuten drucklos berechnet.

Schlagregendichtheit bei nicht hinterlüftetem Einbau der Fensterbank und praktisch luftdichtem Anschluss des Fensters zur Raumseite ($a < 0,1 \text{ m}^3/[\text{h m} (\text{daPa})^{2/3}]$)

kein Wassereintritt bis 1500 Pa

ift Rosenheim
21.12.2020


Thomas Stefan, Dipl.-Ing. (FH)
Prüfstellenleiter
Bauteilprüfung


Peter Marquardt, Dipl.-Ing. (FH)
Prüfingenieur
Bauteilprüfung

Grundlagen
Prüfnorm:
EN 1027: 2016-03 *)
Prüfbericht 20-000736-PR03
(PB 1-E04-02-de-01) vom
17. Dezember 2020



Verwendungshinweise
Dieser Prüfbericht dient zum Nachweis der oben genannten Eigenschaften

Gültigkeit
Die Daten und Ergebnisse beziehen sich ausschließlich auf den geprüften und beschriebenen Probekörper.
Die Prüfergebnisse wurden im Neuzustand ermittelt und ermöglichen keine Aussage über weitere Leistungs- und qualitätsbestimmenden Eigenschaften der vorliegenden Konstruktion, insbesondere Witterungs- und Alterungserscheinungen wurden nicht berücksichtigt.

Veröffentlichungshinweise
Es gilt das "Merkblatt zur Benutzung von ift-Prüfdokumentationen". Das Deckblatt kann als Kurzfassung verwendet werden.

Inhalt
Der Kurzfassung umfasst insgesamt 1 Seite
1 Problemstellung
2 Gegenstand
3 Durchführung
4 Ergebnisse
5 Hinweise zur Benutzung von ift-Prüfberichten



Nachweis

Prüfung von Fugeneigenschaften eines Abdichtungssystems zwischen Fenster und Baukörper im Neuzustand, sowie nach simulierten Kurzzeitbelastungen

Prüfbericht

Nr. 17-001134-PR01-1
(PB-E03-020310-de-01)

Auftraggeber	ST Extruded Products Germany GmbH Bergstr. 17 88267 Vogt Deutschland
Produkt	Abdichtungssystem zwischen Fenster und Baukörper in Vorwandmontage
Bezeichnung	Erste, äußere Dichtebene: Bauseitige Anputzdichtleiste seitlich und oben / BUG Aluminiumfensterbank Standard/30 mm mit seitlichen, schlagregendichten Gleitabschlüssen FB A 500 V unten und Fensterbankabdichtung blauegelb Dichtungsband 600 BG 1 15/2-6 mm Zweite, äußere Dichtebene, sowie Abdichtung innen: blauegelb Folie DuoSL ¹⁰⁰⁰ Power Plus Fugenfüllung: blauegelb 1K - Pistolenschaum Montagezarge: Triotherm+ Profil 120 mm x 85 mm, befestigt mit blauegelb Hybrid Polymer Power Fix; blauegelb Rahmenfixschraube FK-T30 Ø 7,5 mm x 300 mm und Dübel SDH - S10H Länge 230 mm mit Unterlegscheibe Ø 20 mm Fensterbefestigung: blauegelb Rahmenfixschraube FK-T30 Ø 7,5 mm x 152 mm, bzw. 132 mm, sowie blauegelb Rahmenfixschraube ZK-T30 Ø 7,5 mm x 132 mm
Einbausituation / Randbedingungen	Hochlochziegelmauerwerk mit stumpfer Leibungsausbildung. Kunststofffenster mit Stahlarmierung in Blend- und Flügelrahmen. WDVS auf der Außenseite mit teilweiser Überdeckung des Blendrahmens. Fensterbefestigung zur Montagezarge seitlich, oben und unten über blauegelb Rahmenfixschrauben FK-T30 / ZK-T30. Befestigungsabstände seitlich ≤ 700 mm. Lastabtragung des Eigengewichts durch Tragklötze unten. Seitliche Lagesicherung durch die Rahmenfixschrauben.
Einsatzgebiet	Raumseitig luftdichter und außenseitig schlagregendichter Fugenabschluss zwischen Außenwand und Fenster bzw. Fenstertüren aus Kunststoff mit gleichwertiger Ausführung, wie oben beschrieben.
Besonderheiten	Nähere Angaben siehe Probekörperbeschreibung in Abschnitt 1. Die Prüfungen wurden im eingeputzten Zustand, sowie mit äußerer Fensterbank und Fugenfüllung durchgeführt.
Ergebnis	Luftdurchlässigkeit der Fuge Blendrahmen / Zarge bis zu ± 1000 Pa im Neuzustand $a < 0,1 \text{ m}^3/[\text{m h} (\text{daPa})^{2/3}]$ Schlagregendichtheit bis 600 Pa im Neuzustand kein Wassereintritt Luftdurchlässigkeit der Fuge Blendrahmen / Zarge bis zu ± 1000 Pa nach simulierten Kurzzeitbelastungen (Temperatur, Wind, Nutzung) $a < 0,1 \text{ m}^3/[\text{m h} (\text{daPa})^{2/3}]$ Luftdurchlässigkeit der Fuge Zarge / Mauerwerk bis zu ± 1000 Pa nach simulierten Kurzzeitbelastungen (Temperatur, Wind, Nutzung) $a < 0,1 \text{ m}^3/[\text{m h} (\text{daPa})^{2/3}]$ Schlagregendichtheit bis 600 Pa nach simulierten Kurzzeitbelastungen (Temperatur, Wind) kein Wassereintritt



ift Rosenheim
28.07.2017

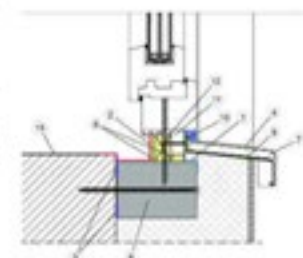
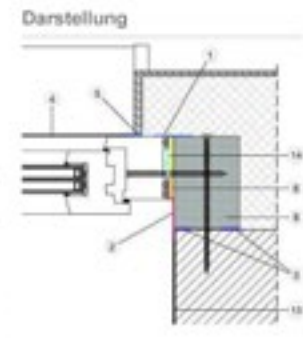

Wolfgang Jehl, Dipl.-Ing. (FH)
Stv. Prüfstellenleiter
Bauteile


Thomas Krichbaumer
Prüfingenieur
Bauteilprüfung



Grundlagen:
ift-Richtlinie MO-01/1 : 2007-01
Baukörperanschluss von Fenstern,
Teil 1: Verfahren zur Ermittlung der Gebrauchstauglichkeit von Abdichtungssystemen, Abschnitt 5, Prüfung Fugeneigenschaften

Prüfbericht Nr. 15-003047-PR04
(PB-E03-020310-de-01) vom
19.09.2016



Verwendungshinweise
Dieser Prüfbericht dient zum Nachweis der oben genannten Eigenschaften.

Gültigkeit
Die Daten und Ergebnisse beziehen sich ausschließlich auf den geprüften und beschriebenen Probekörper.

Veröffentlichungshinweise
Es gilt das ift-Merkblatt "Verbung mit ift-Prüfdokumentationen". Das Deckblatt kann nicht als Kurzfassung verwendet werden.

Inhalt
Der Nachweis umfasst insgesamt 40 Seiten und beinhaltet 2 Deckblätter.
Prüfberichtsdeckblatt 1



Kurzfassung

Nr. 21-003205-PR02
(PB-E04-02-de-01)

zu Prüfbericht
Nr. 21-003205-PR02 (PB 1-E04-02-de-01)

Schlagregendichtheit von Fensterbankabschlüssen

Auftraggeber ST Extruded Products Germany GmbH
BUG Aluminium-Systeme
Schachenstraße 14
88267 Vogt
Deutschland

Produkt	Fensterbanksystem, hintergreifender Einbau
	Aluminium-Fensterbank Standard Plus Anschraubdichtung System 500, ERP Nr. 56020933 Gleitabschluss A500 V 24 mm Gleitabschluss A500 V 34 mm
Bezeichnung	Stoßverbinder H500 D
Material	Aluminium / EPDM Dichtung
Fensterbank	Fensterbank Standard Plus, Aluminium EN AW6060 T66
Einbausituation	Die Prüfung erfolgte für eine nicht hinterlüftete Einbausituation. Der seitliche und untere Anschluss der Fensterbank zum Mauerwerk war nicht Bestandteil der Überprüfung. Dieser ist in Abhängigkeit der Einbausituation fachgerecht nach anerkannten Regeln der Technik auszuführen.
Abweichung zur Prüfnorm	*) Die Überprüfung wurde in Anlehnung an EN 1027, Fenster und Türen - Schlagregendichtheit - Prüfverfahren, durchgeführt. Abweichend von dieser Norm wurde statt 15 Minuten ohne Winddruckbelastung über 60 Minuten drucklos berechnet.

Ergebnis	Schlagregendichtheit bei nicht hinterlüftetem Einbau der Fensterbank und praktisch luftdichtem Anschluss des Fensters zur Raumseite ($a < 0,1 \text{ m}^3/(\text{h} \cdot \text{m} (\text{daPa})^{2/3})$)	
	kein Wassereintritt Gleitabschluss A500 V 24	bis 1950 Pa
	kein Wassereintritt Gleitabschluss A500 V 34	bis 1950 Pa
	kein Wassereintritt Stoßverbinder H500 D	bis 1950 Pa
	kein Wassereintritt Anschraubdichtung	bis 1950 Pa

Ift Rosenheim
02.12.2021


Thomas Stefan, Dipl.-Ing. (FH)
Prüfstellenleiter
Bauteilprüfung


Florian Walter
Prüfingenieur
Bauteilprüfung



Grundlagen
Prüfnorm:
FN 1027: 2016-03 *)
Prüfbericht 21 003205 PR02
(PB 1 E04 02 de 01)



Verwendungshinweise
Dieser Prüfbericht dient zum Nachweis der oben genannten Eigenschaften

Gültigkeit
Die Daten und Ergebnisse beziehen sich ausschließlich auf den geprüften und beschriebenen Probekörper.
Die Prüfergebnisse wurden im Neuzustand ermittelt und ermöglichen keine Aussage über weitere Leistungs- und qualitätsbestimmenden Eigenschaften der vorliegenden Konstruktion, insbesondere Witterungs- und Alterungserscheinungen wurden nicht berücksichtigt.

Veröffentlichungshinweise
Es gilt das "Merkblatt zur Benutzung von IFT-Prüfdokumentationen". Das Deckblatt kann als Kurzfassung verwendet werden.

Inhalt
Der Kurzfassung umfasst insgesamt 1 Seite
1. Problemstellung
2. Gegenstand
3. Durchführung
4. Ergebnisse
5. Hinweise zur Benutzung von IFT-Prüfberichten

Kurzfassung

Nr. 21-003205-PR03
(PB 2-E04-02-de-03)

zu Prüfbericht
Nr. 21-003205-PR03 (PB 1-E04-02-de-03)


Schlagregendichtheit von Fensterbankabschlüssen


Auftraggeber ST Extruded Products Germany GmbH
BUG Aluminium-Systeme
Schachenstraße 14
88267 Vogt
Deutschland

Produkt	Fensterbank-Anschraubdichtung, stumpfer Einbau
	Anschraubdichtung System 500, 23,3 mm x 5,7 mm, ERP Nr. 56020933 mit doppelseitigem Klebeband 9 mm x 0,2 mm
Bezeichnung	
Material	FPDM Dichtung schwarz
Fensterbank	Fensterbank Standard Plus, Aluminium EN AW6060 T66
Einbausituation	Die Prüfung erfolgte für eine nicht hinterlüftete Einbausituation. Der seitliche und untere Anschluss der Fensterbank zum Mauerwerk war nicht Bestandteil der Überprüfung. Dieser ist in Abhängigkeit der Einbausituation fachgerecht nach anerkannten Regeln der Technik auszuführen.
Abweichung zur Prüfnorm	*) Die Überprüfung wurde in Anlehnung an EN 1027, Fenster und Türen - Schlagregendichtheit - Prüfverfahren, durchgeführt. Abweichend von dieser Norm wurde statt 15 Minuten ohne Winddruckbelastung über 60 Minuten drucklos berechnet.

Ergebnis	Schlagregendichtheit bei nicht hinterlüftetem Einbau der Fensterbank und praktisch luftdichtem Anschluss des Fensters zur Raumseite ($a < 0,1 \text{ m}^3/(\text{h} \cdot \text{m} (\text{daPa})^{2/3})$). Schlagregendichtheit bei nicht hinterlüftetem Einbau ohne innere Abdichtung (ohne Plexiglasscheibe).	
	kein Wassereintritt bis 1950 Pa	

Ift Rosenheim
02.12.2021

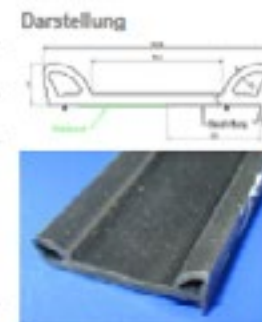

Thomas Stefan, Dipl.-Ing. (FH)
Prüfstellenleiter
Bauteilprüfung


Florian Walter
Prüfingenieur
Bauteilprüfung



Grundlagen
Prüfnorm:
EN 1027: 2016-03 *)
Prüfbericht 21-003205-PR03
(PB 1-E04-02-de-03)

Ersetzt Kurzfassung:
21 003205 PR03 (PB E04 02
de-02) vom 22.11.2021



Verwendungshinweise
Dieser Prüfbericht dient zum Nachweis der oben genannten Eigenschaften

Gültigkeit
Die Daten und Ergebnisse beziehen sich ausschließlich auf den geprüften und beschriebenen Probekörper.
Die Prüfergebnisse wurden im Neuzustand ermittelt und ermöglichen keine Aussage über weitere Leistungs- und qualitätsbestimmenden Eigenschaften der vorliegenden Konstruktion, insbesondere Witterungs- und Alterungserscheinungen wurden nicht berücksichtigt.

Veröffentlichungshinweise
Es gilt das "Merkblatt zur Benutzung von IFT-Prüfdokumentationen". Das Deckblatt kann als Kurzfassung verwendet werden.

Inhalt
Der Kurzfassung umfasst insgesamt 1 Seite
1. Problemstellung
2. Gegenstand
3. Durchführung
4. Ergebnisse
5. Hinweise zur Benutzung von IFT-Prüfberichten

Nachweis

Prüfung von Fugeneigenschaften eines Befestigungssystems zwischen Fenster und Baukörper im Neuzustand, sowie nach simulierten Kurzzeitbelastungen

Prüfbericht

Nr. 17-001134-PR01-2

(PB-E03-020310-de-01)

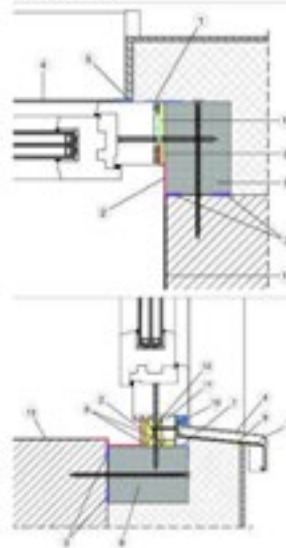


Auftraggeber	ST Extruded Products Germany GmbH Bergstr. 17 88267 Vogt Deutschland
Produkt	Befestigungssystem zwischen Fenster und Baukörper
Bezeichnung¹⁾	Montagezarge: Trioherm+ Profil 120 mm x 85 mm ²⁾ , befestigt mit blaugelb Hybrid Polymer Power Fix ³⁾ , blaugelb Rahmenfixschraube FK-T30 Ø 7,5 mm x 300 mm, sowie Dübel SDH – S10H Länge 230 mm mit Unterlegscheibe Ø 20 mm Fensterbefestigung: blaugelb Rahmenfixschraube FK-T30 Ø 7,5 mm x 152 mm (unten), bzw. 132 mm (seitlich und oben), sowie blaugelb Rahmenfixschraube ZK-T30 Ø 7,5 mm x 132 mm (seitlich) Fugenfüllung: blaugelb 1K – Pistolenschäum ⁴⁾
Einbausituation / Randbedingungen	Hochlochziegelmauerwerk Plan-T14-24,0 L mit der Druckfestigkeitsklasse 8 und stumpfer Leibungsbildung. Kunststofffenster, 1230 mm x 1510 mm (inkl. Fensterbankanschlussprofil) mit Stahlarmierung 1,5 mm in Blend- und Flügelrahmen und dem Glasaufbau 8/12/8/12/8. WDVS auf der Außenseite mit teilweiser Überdeckung des Blendrahmens. Fensterbefestigung zur Montagezarge seitlich, oben und unten über blaugelb Rahmenfixschrauben FK-T30 / ZK-T30. Befestigungsabstände seitlich ≤ 700 mm. Lastabtragung des Eigengewichts Tragklötze unten (3 Stück). Seitliche Lagesicherung durch die Rahmenfixschrauben FK-T30 / ZK-T30.
Einsatzgebiet	Fachgerechte Fenstermontage zum Baukörper von Fenstern aus Kunststoff mit gleichwertiger Ausführung, wie oben beschrieben.
Besonderheiten	¹⁾ Nähere Angaben siehe Probekörperbeschreibung in Abschnitt 1. ²⁾ Die Prüfungen wurden im eingeputzten Zustand, sowie mit äußerer Fensterbank und Fugenfüllung durchgeführt. Der Prüfverlauf erfolgte in Kombination des Prüfverlaufs der ift-Richtlinie MO-01/1.

Grundlagen:
ift-Richtlinie MO-02/1 : 2015-06
Baukörperanschluss von Fenstern,
Teil 2: Verfahren zur Ermittlung der Gebrauchstauglichkeit von Befestigungssystemen

Prüfbericht Nr. 15-003047-PR04
(PB-E03-020310-de-01) vom
19.09.2016

Darstellung



Verwendungshinweise

Dieser Prüfbericht dient zum Nachweis der oben genannten Eigenschaften.

Gültigkeit

Die Daten und Ergebnisse beziehen sich ausschließlich auf den geprüften und beschriebenen Probekörper.

Veröffentlichungshinweise

Es gilt das ift-Merkblatt „Werbung mit ift-Prüfdokumentationen“. Das Deckblatt kann als Kurzfassung verwendet werden.

Inhalt

Der Nachweis umfasst insgesamt 40 Seiten und beinhaltet 2 Deckblätter.

Prüfberichtsdeckblatt 2

Ergebnis



Bewertung der Bauteilprüfung nach ift-Richtlinie MO-02/1:2015-06, Abschnitt 5.2

Anforderungen erfüllt ^{**) (***)}

Zusatzlast (Racking): 1000 N mit $\delta_{r,max}$ 1,9 mm
p1 2000 Pa mit $\delta_{r,max}$ 1,1 mm;
Windlasten: p2 1000 Pa mit $\delta_{r,max}$ 0,6 mm;
p3 3000 Pa

Temperaturwechselbelastung:
10 Zyklen mit +60°C / -15°C mit $\delta_{r,max}$ 1,1 mm

Bedienkräfte: < 5 Nm für die Freigabe, bzw. Verriegelung

Dauerfunktionsprüfung: 10.000 Bedienzyklen

Stoßfestigkeit, Fallhöhe: 700 mm

¹⁾Einzelergebnisse siehe Abschnitt 3

ift Rosenheim
28.07.2017


Wolfgang Jehl, Dipl.-Ing. (FH)
Stv. Prüfstellenleiter
Bauteilprüfung


Thomas Krichbaumer
Prüfingenieur
Bauteilprüfung

ift Rosenheim GmbH
Theodor-Giertl-Str. 7-9
D-85026 Rosenheim

Kontakt
Tel. +49 8031 261-0
Fax +49 8031 261-290
www.ift-rosenheim.de

Prüfung und Kalibrierung – EN ISO/IEC 17025
Inspektion – EN ISO/IEC 17020
Zertifizierung Produkte – EN ISO/IEC 17065
Zertifizierung Managementsysteme – EN ISO/IEC 17021



BUG references

1. Description of project / reference – detailed enquiry

- // Project: _____
- // Location: _____
- // Address: _____
- // Completion date: _____
- // Processor/window-making company: _____
- // System/product processed: _____
- // Scope of the contract: _____
- // Building size: _____
- // Special elements _____
- // Architect: _____

2. Image material

- // Are high-quality images available? Yes No
- // Do you consent to us, BUG Aluminium-Systeme, using this image material according to our use agreement? Yes No

3. Contact

4. BUG contact



BUG Marketing & Communications Manager
Katja Bischofberger
M bug.marketing@step-g.com



**PLEASE FILL IN
AND RETURN**

Installation

Weather protection for buildings

BUG aluminium window ledge systems protect buildings in the area of lower window and door openings from weather and environmental influences. Custom colours achieved with anodising or powder coating allow optimal matching of the window ledge to the façade architecture.

Our comprehensive range of accessories ensures our products can easily be installed in diverse structures. For external doors, we supply additional step protection profiles to protect the window ledge.

BUG window ledges are available from stock in lengths of approx. 6,000 mm with punched elongated holes on the screw plate measuring 4.2x7 mm at a spacing of 300 mm. We adhere a protective film to surface-finished window ledges for protection during transport and installation.

Suitability and application scope

BUG window ledge systems are suitable for installation in single or multi-layered walls with brick, concrete, natural stone or plaster façades as well as for composite thermal insulation systems and other types of cladding. They can be combined with all window frame materials. Our systems comply with all the technical requirements of the RAL installation guideline for windows and doors.

Technical rules, DIN standards

To ensure our profiles and system components function perfectly, it is essential that installers observe the recognised technical rules and relevant standards as well as guidelines for the planning and installation of window ledges. Also applicable is the joint guideline "Closures on Windows and Roller Shutters on Plaster, Thermal Insulation, Composite Systems and Drywall Constructions" issued by the Fachverband der Stuckateure (professional association of painters, finishers and plasterers), the Fachverband Glas Fenster Fassade Baden-Württemberg (professional association for glazing, windows, façades), the Bundesverband Rollläden + Sonnenschutz e.V. (professional association for roller shutters and sun protection systems) and the Gütegemeinschaft Wärmedämmung von Fassaden e.V. (quality association for thermal insulation of façades), Frankfurt am Main. The applicable regulation in Austria is the Guideline for the Installation of Window Ledges on Composite Thermal Insulation System and Plaster Façades issued by the ARGE Fensterbank (Austrian working community for window ledges), Bundesstraße 24, A-8291 Burgauberg.

Selecting the right profiles and system components

BUG profiles and system components are available in a wide variety. Choosing the right product depends on the purpose and concrete installation requirements of the structure. For this reason, the responsibility lies exclusively with the company performing the work.

Naturally, the drawings in our brochure do not take specific circumstances into account. They are intended only to provide detailed measurements of our profiles and certain essential processing instructions. Therefore, they do not constitute concrete instructions for installation of our window ledges.

Using our system-tested components

The system components in this brochure are designed to be used in combination with each other. Please note that correct functioning can not be guaranteed if you use components from other manufacturers.

Installation instructions

Please observe the following installation instructions. They reflect the current level of experience. Please also comply with relevant standards and guidelines as well as processing guidelines from other suppliers. We do not accept liability for any damage resulting from incorrect installation. Use a carbide saw blade to cut the profiles to length. The window ledge overhang over the finished façade should measure 40–50 mm.

When determining the profile length, make an allowance for the thermal elongation of aluminium.

For surface-finished window ledges, account for cutting waste of approx. 30–50 mm due to the suspension holes for the surface treatment. Window ledges with a total or individual length of more than 3 metres must be cut into sections and joined with butt connectors. When you use butt connectors, allow for elongation of 4 mm on each side.

If the projection is more than 150 mm, install fixings with special brackets to the underside to stabilise the window ledges (against wind/suction loads). Space the brackets according to the tables in the above guidelines and recommendations. We recommend spacings of approx. 40 cm to the side end pieces and approx. 60 cm between the brackets.

Window ledges intended to be stepped on require special sub-structures which must be planned and executed according to the building construction.

Permanently seal slot-in closures on the window ledge screw plate with suitable sealing agent. We recommend using BUG shaped gasket pieces DFT 40 or DFT 31. The combination of BUG slot-in closures and DFT 40 or DFT 31 shaped gasket pieces provides water tightness under heavy rain. After consultation with the individual trade professional, permanently seal the trade hole. Before sealing the trade hole, consult and plan the work with the installation companies, window manufacturer and e.g. ETICS company.

For window ledge closures on plaster façades, an expansion strip must be adhered at the ends and at the top.

In the case of window ledge sliding closures, integrated installation stops or spring elements absorb the window ledge movement caused by temperature changes within a space designed for this purpose.

If sound dampening is required, apply sound-dampening material to one third of the window ledge underside continuously (apart from any butt connector or closure clamps) according to the corresponding guidelines. Place this material so that it is not visible after installation of the window ledge. We supply freely combinable sound-dampening strips in widths of 50 mm and 80 mm. Other dimensions are available on special request.

For fixing, use screws in A2 quality with plastic washers.

The joint between the window ledge and the window must be tightly sealed while retaining the expansion/retraction quality of the closure using suitable sealing systems (e.g. prefabricated gasket profile for the window ledge system).

It is important when installing the window ledge that the 5° drainage incline is still present after installation.

The protective film applied for transport should not be left on the window ledge for longer than three months after it has been installed in the building. Any larger residues of mortar and/or plaster must be removed immediately, even if the surface is still covered with film.

Installation on the building

Perform installation and sealing to the building according to standards and recognised guidelines.

We recommend that you always apply a second level of sealing to ensure long life, mitigate the impact of different stresses on the window ledge structure during and after the construction phase and because of the cumulative effect of various trade professionals working on the component.

Protection during the installation and construction period

During the installation and construction period, aluminium components are often exposed to mechanical and chemical stresses. Even small scratches damage the surface and should be avoided. Splashes of lime and cement create light patches and sometimes corrosion. Therefore, alkaline contamination must be cleaned off immediately. If these marks are left for longer, they can usually no longer be removed on the construction site. If aluminium profiles are installed prior to plastering, the aluminium must be adequately protected.

Cleaning surface-treated components

We recommend thorough cleaning after assembly of the components and cleaning intervals according to the level of pollution. Wash anodised surfaces with warm water. To improve the

cleaning effect, you can add a chlorine-free wetting agent to the water. If the surface is severely soiled, we recommend using special anodised surface cleaners.

You can also clean coated surfaces by washing with warm water. Again, you can add a wetting agent to the water to improve the cleaning effect. After cleaning with cleaners containing wetting agents, rinse thoroughly with clean water. Even if surfaces are severely soiled, do not use abrasive cleaners. Suitable cleaning agents are painted surface cleaners and polishes sold as vehicle cleaning products. Use these products according to the cleaning agent manufacturer's recommendations.

For more information, see Aluminium Information Sheet A 05, Cleaning Aluminium in the Construction Industry, published by Aluminium Deutschland e.V. (AD), formerly known as Gesamtverband der Aluminiumindustrie e.V. (GDA).

The construction product – extrusion-pressed bars, pipes and profiles made of aluminium alloys – was deleted from the list of construction rules. This has removed the basis for the "Ü" labelling (products freely tradable within the EU) of BUG system profiles. Separate CE labelling is not planned for these BUG system products. However, these products may be used in final products such as windows and façades which require a CE label.

Source

Page 11: Empfehlungen für den Einbau / Ersatz von Metall-Fensterbänken (WDVS Fassade): Gütegemeinschaft Wärmedämmung von Fassaden e.V., pages 8–9.

Copyrights

Upon publication, this brochure replaces all earlier documents. We reserve the right to make technical alterations. All information without guarantee. We do not accept any liability for printing errors or other errors.

All rights reserved. This publication is protected by copyright. Any use other than legally authorised use requires permission in writing. Installation must be based on general guidelines, recommendations and DIN standards.

© ST Extruded Products Germany GmbH

BUG Aluminium-Systeme
Schachenstraße 14 | 88267 Vogt, Germany
BUG is a trademark of ST Extruded Products Germany GmbH

Alloys & coatings

Aluminium in the construction industry

Aluminium is one of the most high-quality and decorative metals used in the construction industry. Therefore, people who work with aluminium components should carefully observe the following instructions.

Aluminium system profiles from BUG Aluminium-Systeme should be installed and sealed according to the relevant recommendations, directives, guidelines, and DIN standards. Procedures that involve different trade professionals must be determined, coordinated and agreed upon.

Surface protection

Aluminium components must not be exposed to scratch and impact stresses. They should only be installed after the masonry, plaster, render, stone and tiling work has been completed in order to avoid e.g. lime and cement splashes which could damage the surface. Any soiling with alkaline substances must be immediately removed because damage can usually no longer be repaired on the construction site.

If masonry and plaster work is performed after the installation of anodised or coated aluminium components, these components must be protected against damage and contamination from construction materials. They must be covered with suitable self-adhesive, UV-resistant plastic film. The protective film must be applied prior to delivery so that it also protects the parts from transport damage.

Material resistance

BUG system profiles are coated to make them weatherproof and durable. All system accessories are made from high-quality materials. Therefore, BUG systems can easily be installed alongside many materials used in construction. If you use substances to which BUG system profiles or accessories are not normally exposed, please check the resistance to these substances in advance.

Metals such as lead, copper or copper alloys (e.g. brass) must not be installed together with aluminium (also not in wet areas). Stainless steel components can be combined with aluminium without any problems.

Powder coating aluminium

Powder coating makes it possible to produce aluminium products in any RAL colour. The wide colour range is especially attractive for decorative applications in external architecture.

Electrostatic powder coating is a relatively new but proven coating process that creates decorative surfaces which are also weather-resistant and durable. We work with partner companies who powder coat our aluminium profiles. BUG Aluminium-Systeme colour fans are not binding in terms of shade and gloss. This is because it is impossible to rule out colour differences from the original colours due to different manufacturing processes and pigmentations. For this reason, BUG colour fans are only intended as a general guide and not as a production template.

Special information

For production reasons, the shades produced by powder coatings, just like all other paints and coatings, are subject to tolerances and fluctuations.

It can also be assumed that RAL shades applied by different coaters usually do not match perfectly because the coaters use powder coatings from different manufacturers. This means the customer must without fail make sure that all components are coated in a single batch. If this is not possible, the procedure must be discussed specifically with our staff.

Separate discussions are always necessary for follow-up projects. Differences in appearance are especially likely with metallic colours, e.g. RAL 9006, RAL 9007 and DB surfaces 701, 702, 703 etc. This is due to the different physical conditions that occur during electrostatic application of these powder coatings.

Contact points with anodised coating

Contact points of approx. 50 mm occur on the ends of anodised aluminium profiles. These marks are not suitable for visible surfaces.

Our SOFTLINE PLUS aluminium window ledges and the corresponding window ledge closures are available from stock in various colours.

Name	Colour	Code
AU	Aluminium without surface finishing	000
BC0	Anodised natural colour	601
BC2.5	Anodised medium bronze	646
BC4	Anodised deep bronze	644
RAL 9016	Thermal paint white	931
RAL 7016	Thermal paint, anthracite	716

Other surface options come with longer delivery periods. On request, we deliver window ledges without surface finishing with protective film covering.

BUG system overview

Window ledge systems

- / Protect buildings from weathering and environmental influences
- / With colour anodising or thermal coating, we supply window ledges in colours designed for each specific façade
- / For external doors, an additional step protection profile protects window ledges
- / Product accessories: Sliding closures & compact closures
 - Butt & corner connectors
 - Pillar recesses
 - Screw seals
 - Window ledge brackets

Wood-aluminium systems

- / All design variants feature a uniform wood profile for the frames and the same outer groove on the wood casements. This enables fast planning and cost-effective production.
- / Standardised structural connection solutions for all design lines ensure easy selection, planning and installation.
- / Wood-aluminium systems:

Aluvogt Design series	Renovation systems
Exterior glazing	Rebate
Glass safety guard	
Low-energy solution	

Weather protection for wood windows

- / Weather protection rails protect the bottom crosspiece of the wood frame against the weather.
- / Additionally, the thermal weather protection rails provide thermal insulation in the area of the bottom rebate.
- / Weather protection systems:

Casement cover profiles
Rain protection rails

Wood-aluminium systems for façades

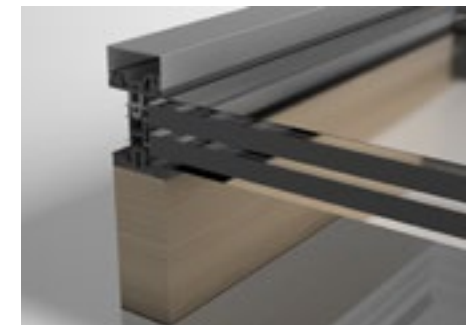
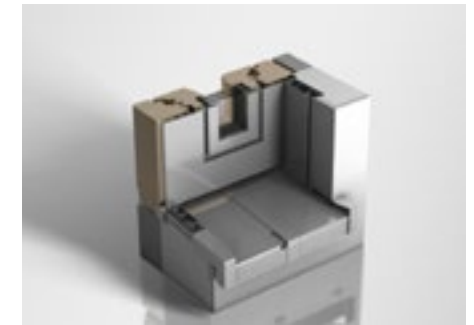
- / All design variants feature a uniform wood profile for the frames and the same outer groove on the wood casements. This enables fast planning and cost-effective production.
- / Standardised structural connection solutions for all design lines ensure easy selection, planning and installation.
- / Façade systems:

Post and beam construction
Roofing systems
Conservatory systems

Flat roof systems

- / Single-part and multi-part flat roof closures with clip assembly
- / Wall closure profiles and gravel stop strips in a variety of shapes
- / Parapet covers with bracket systems tested for static stability
- / Façade systems:

Bracket system/parapet cover
Flat roof closures
Wall closure & step protection profiles





ST Extruded Products Germany GmbH

Schachenstraße 14 | 88267 Vogt, Germany

T +49(0)75 29 999-0

ST Extruded Products Austria GmbH

Egger-Lienz-Straße 8 | 4050 Traun, Austria

T +43(0)72 29 615 01-0

M bug.service@step-g.com

W www.bug.de